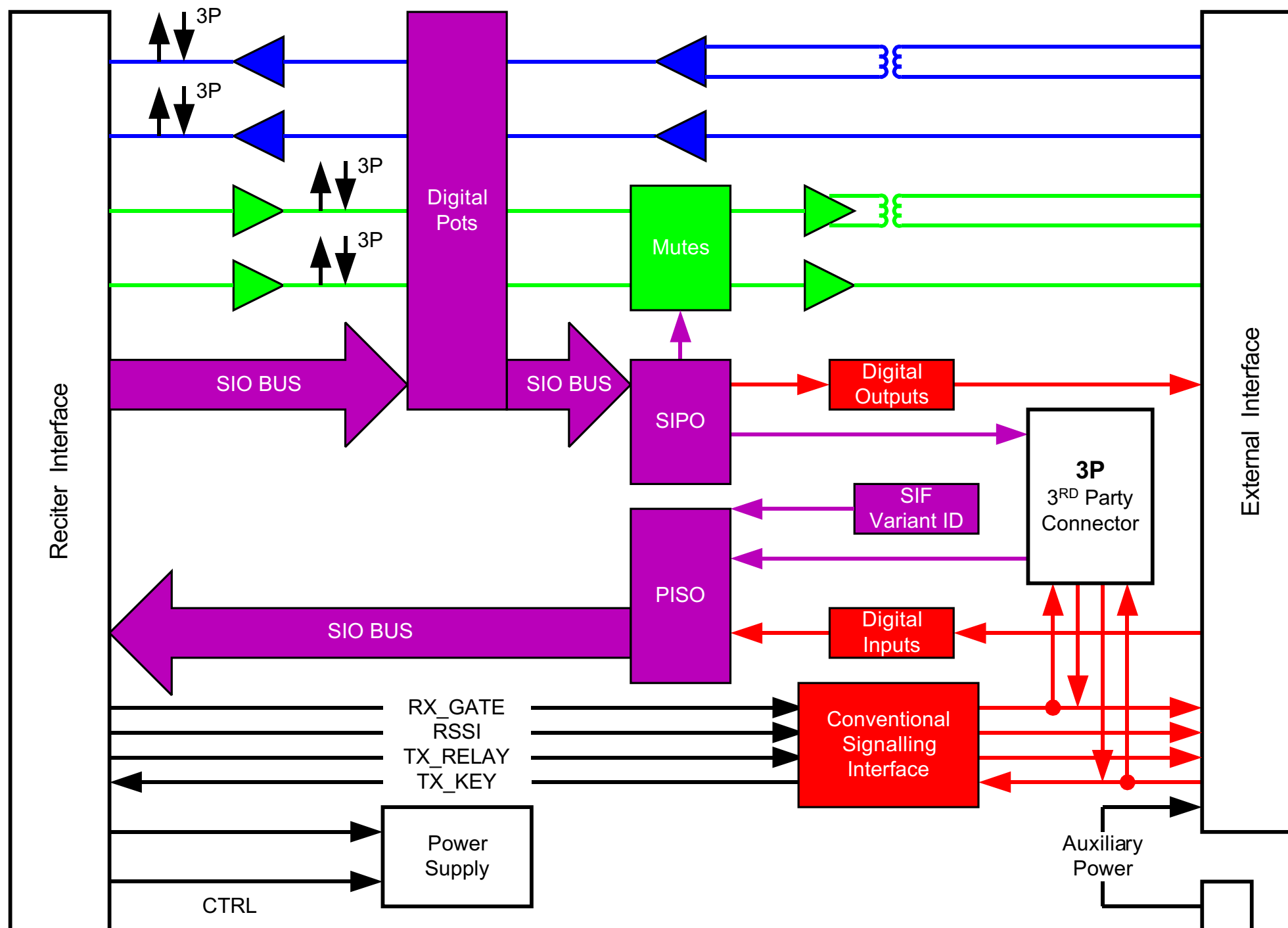


<b>CONNECTORS &amp; MISC</b>	Page 4 Sheet 5
<b>AUDIO OUTPUTS</b>	Page 6 Sheet 1
<b>AUDIO INPUTS</b>	Page 8 Sheet 2
<b>DIGITAL I/O</b>	Page 10 Sheet 3
<b>DIGITAL</b>	Page 12 Sheet 4

**3P** = 3rd Party Audio



**System Interface Pin Outs**  
Standard 25 [0A0] and Isolated 25 [0B0]

1: LINE_OUT+	14: DIG_1_IN
2: LINE_OUT-	15: DIG_2_IN
3: AUDIO_OUT	16: DIG_3_IN
4: GROUND	17: DIG_4_IN
5: AUDIO_IN	18: DIG_5_IN
6: LINE_IN+	19: DIG_6_IN
7: LINE_IN-	20: DIG_7_IN
8: RSSI_OUT	21: DIG_8_IN
9: RX_GATE_OUT	22: DIG_9_IN
10: TX_KEY_IN	23: DIG_10_IN
11: DIG_1_OUT	24: TX_RELAY
12: DIG_2_OUT	25: GROUND
13: AUX_V	

Isolated 25 E+M [0C0]

1: LINE_OUT+	14: DIG_1_IN
2: LINE_OUT-	15: DIG_2_IN
3: AUDIO_OUT	16: DIG_3_IN
4: GROUND	17: DIG_4_IN
5: AUDIO_IN	18: DIG_5_IN
6: LINE_IN+	19: DIG_6_IN
7: LINE_IN-	20: OPTO_+
8: RSSI_OUT	21: OPTO_+
9: RX_GATE_OUT	22: RELAY_+
10: TX_KEY_IN	23: RELAY_+
11: DIG_1_OUT	24: TX_RELAY
12: DIG_2_OUT	25: GROUND
13: AUX_V	

TaitNet [0T1]

1: LINE_OUT+	9: AUX_V
2: LINE_OUT-	10: DIG_3_OUT
3: AUDIO_OUT	11: -
4: RX_GATE_OUT	12: DIG_1_OUT
5: TX_KEY_IN	13: DIG_2_OUT
6: AUDIO_IN	14: DIG_1_IN
7: LINE_IN+	15: GROUND
8: LINE_IN-	

Reciter interface SK500

1: +28V	I	2: GND	
3: +9V3	I	4: GND	
5: +5V	I	6: GND	
7: +3V3STBY	I	8: GND	
9: PWR_ON	I	10: PWD_RX	I
11: PWD_EX	I	12: GND	
13: RISC_RS232_RX	-	14: RISC_RS232_TX	-
15: TX_KEY_RISK	I	16: RX_GATE	O
17: COAX_RELAY_DRV	O	18: *HS_DIG_IN_0	TP0
19: *HS_DIG_IN_1	TP2	20: *HS_DIG_IN_2	TP1
21: SIO_CLK	O	22: SIO_TXD	O
23: SIO_RXD	I	24: SIO_CON	O
25: *DSP_RS232_TX	-	26: *DSP_RS232_RX	-
27: *DSP_IN	I	28: *DSP_OUT	-
29: GND		30: OUT_LINE+	O
31: OUT_LINE-	O	32: IN_LINE+	I
33: IN_LINE-	I	34: IN_AUDIO+	I
35: IN_AUDIO-	O	36: OUT_AUDIO+	O
37: OUT_AUDIO-	O	38: RSSI+	O
39: RSSI-	O	40: LINE_2V4	O

